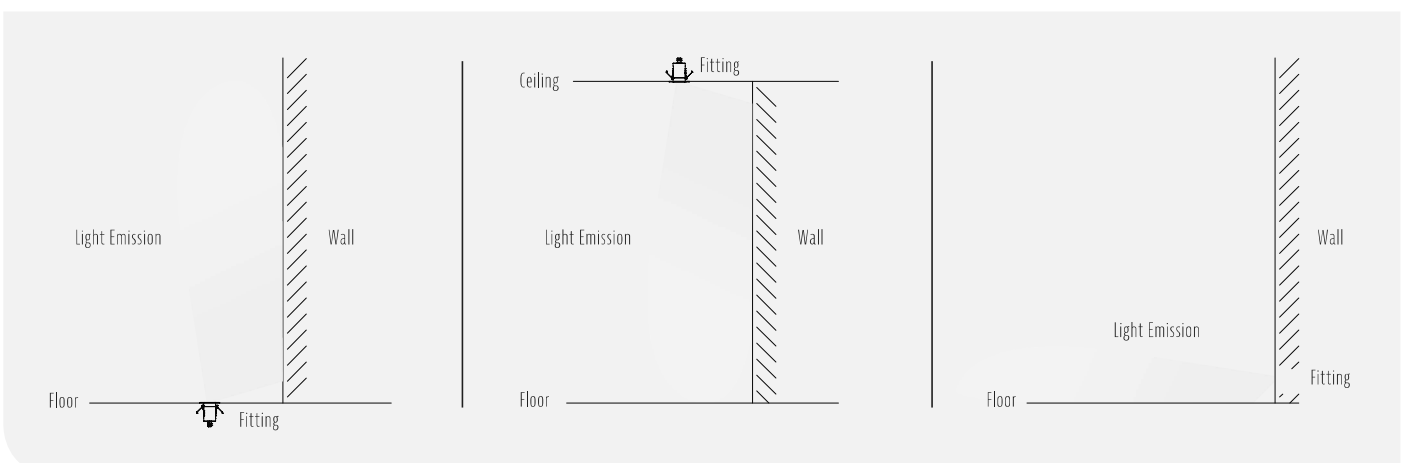
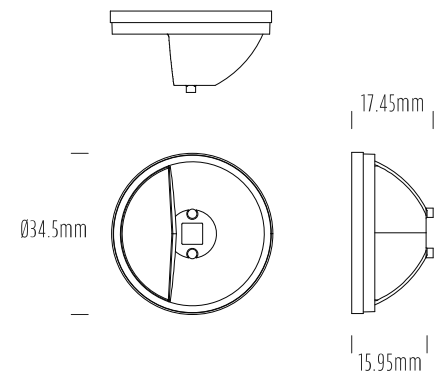


Optical Cutoff Option



- The optical cutoff option for the AQL-155 series is an internal baffle that effectively limits glare.
- The cutoff option is useful in various scenarios including narrow walkways, stairwells and as a downlight - any situation where a symmetric beam pattern would result in an unwanted effect or lead to unacceptable glare disability.
- Made from high temperature Nylon 6-6.



1300 662 644
sales@aqualux.com.au



Visit www.aqualux.com.au for: Full product details and available options, Order code configuration & customised datasheets, Voltage drop calculator & LED technical information.