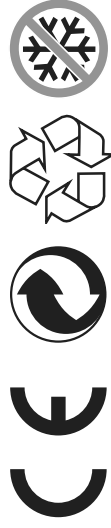
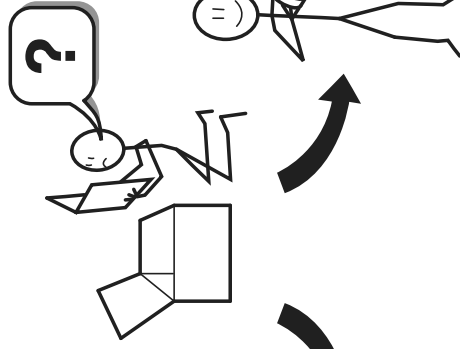
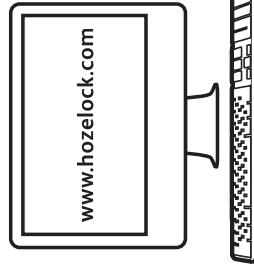


HOZELOCK

2214

Sensor Controller Plus

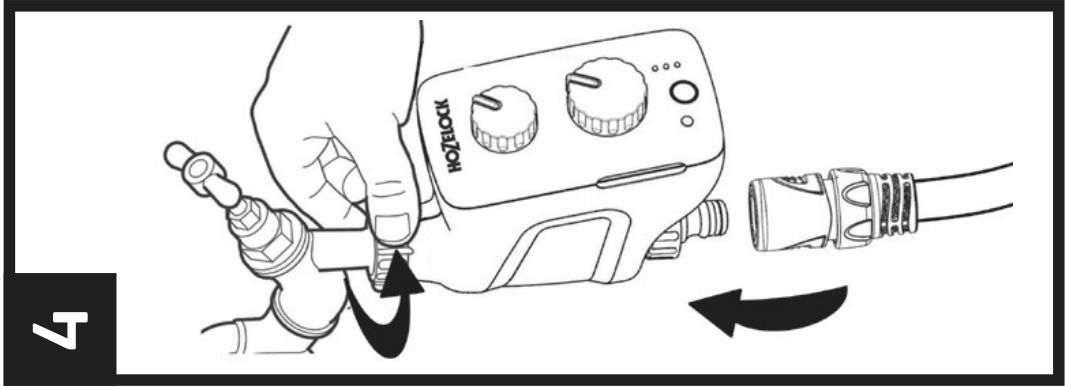
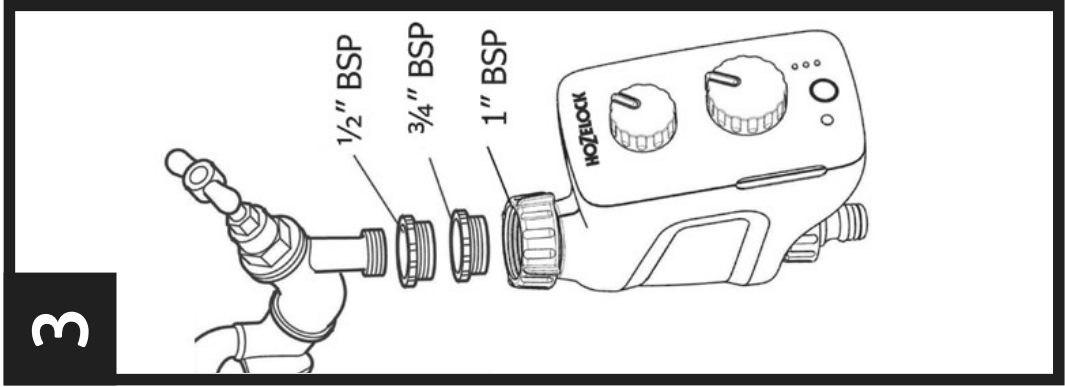
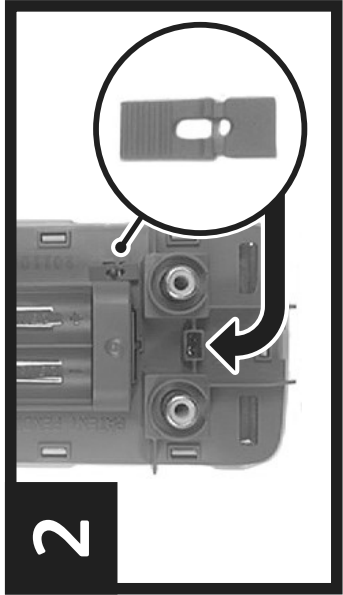
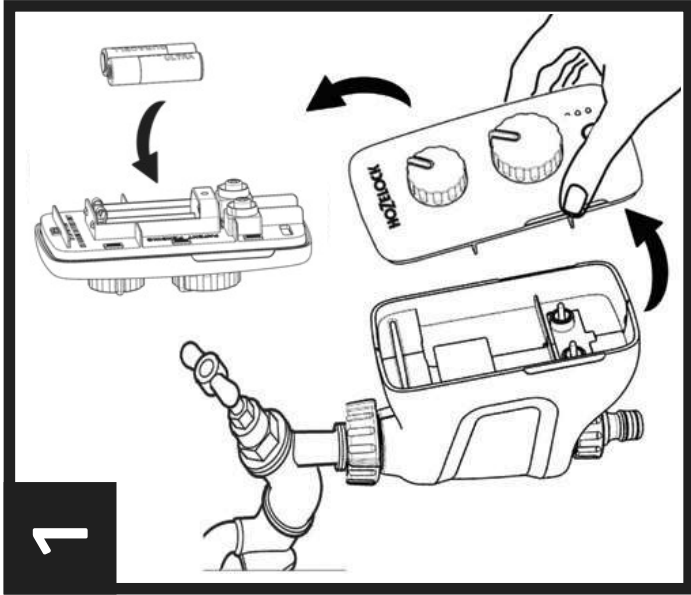
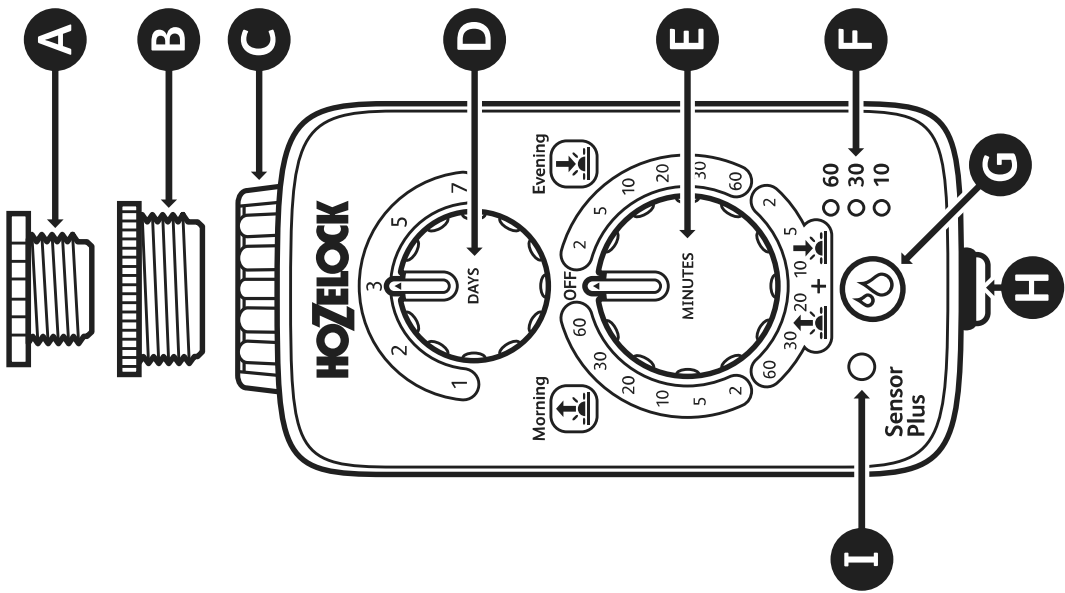


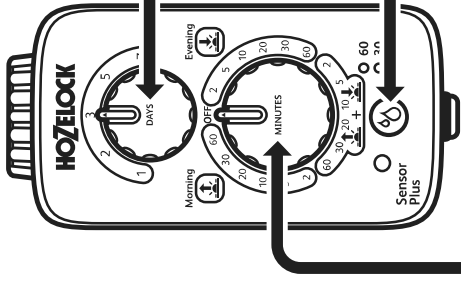
Hozelock Ltd.
Midpoint Park, Birmingham,
B76 1AB. England
Tel: +44 (0) 121 313 1122

www.hozelock.com

33920-001

Sensor Controller Plus





Water now
 Arroser maintenant
 Jetzt bewässern
 Nu bewateren
 Regar ahora
 Acqua ora


5 Watering duration • Durée d'arrosage Bewässerungsdauer • Duur bewatering Duración de riego • Durata dell'annaffiatura

<p>Morning • Matin Morgens • Ochtend Mañana • Mattino</p> <p>5 Mins</p>	<p>Evening • Soir Abends • Avond Noche • Sera</p> <p>10 Mins</p>	<p>Morning + Evening • Matin + Soir Morgens + Abends • Ochtend + Avond Mañana + Noche • Mattino + Sera</p> <p>20 + 20 Mins</p>
---	--	--

6 Watering schedule • Programme d'arrosage Bewässerungsplan • Bewateringsschema Programa de riego Programmazione dell'annaffiatura

	DAY • JOUR • TAG • DAG • DIA • GIORNO						
	1	2	3	4	5	6	7

GB

- A** 21mm G $\frac{1}{2}$ ($\frac{1}{2}$ "BSP) Adaptor
- B** 26.5mm G $\frac{3}{4}$ ($\frac{3}{4}$ "BSP) Adaptor
- C** 33.3mm G1 (1"BSP) Adaptor
- D** Schedule dial
- E** Duration dial
- F** LED indicator lights
- G** Water Now button  - On/Off/Override
- H** Hose pipe connector
- I** Light Sensor

Installation & operating instructions



READ THESE INSTRUCTIONS CAREFULLY BEFORE ATTEMPTING TO USE THIS PRODUCT.

FAILURE TO OBSERVE THE FOLLOWING NOTICES MAY RESULT IN INJURY OR PRODUCT DAMAGE

General information

⚠ THESE INSTRUCTIONS ARE ALSO AVAILABLE ON THE HOZELOCK WEBSITE.

- ⚠** This product meets the requirements of IP44 and therefore can be used in exposed weather conditions.
- ⚠** This product is not suitable for supplying drinking water.

⚠ Threaded water connections are suitable for hand tightening only.

⚠ This product can be fitted to mains water supply.

⚠ This product can be fitted to outdoor water butts or tanks that have an inline filter fitted before the controller.

Installing the batteries

You must use Alkaline batteries – alternatives will result in incorrect operation.

- 1** Remove the front panel as shown (Fig. 1), gripping the recessed part and pulling towards you.
- 2** Insert 2 x 1.5v AA (LR6) batteries (Fig. 1) and replace the controller front panel.

IMPORTANT: Rechargeable batteries must not be used.

- 3** Replace batteries each season. (max 8 months use, used twice a day)
- 4** When batteries are installed the motor will operate the internal valve to check that it is ready for use and the batteries installed have enough charge to safely operate the valve
- 5** If the LED indicator flashes red, the batteries need to be replaced.

Connecting the Sensor Controller Plus to the tap

- 1** Choose the correct tap adapter. (Fig. 3)
- 2** Using the correct adapter(s), attach the controller to the tap and tighten firmly to avoid leaks. Do not use a spanner or other tool to tighten as this might damage the threads. (Fig. 4)

3 Turn on the Tap.

How to set up the Sensor Controller Plus - automatic watering

Sunrise and Sunset is the best time to water your garden to avoid evaporation and leaf scorch. The Daylight sensor automatically adjusts the watering schedule to coincide with the changing time for sunrise and sunset.

Cloudy or overcast mornings and evenings might cause a slight delay to the watering times, but these are not significant to have any adverse effects on your garden.

- 1** Rotate the control dial to select from the 3 marked sections – Sunrise (once a day), Sunset (once a day) or Sunrise and Sunset (twice a day). (See Fig. 5)
- 2** Choose from the required watering durations – 2, 5, 10, 20, 30 or 60 minutes of watering.

How to set the daily watering schedule

If you do not want to water your garden every day you can set the water timer to water every 2, 3, 5 or 7 days (once a week). To set the watering intervals rotate the top dial to the required setting: (Fig. 6)

Please note: If you change the watering interval the internal memory is updated with your new setting at the next sunrise.

If you have turned the dial anti-clockwise (increasing the number of watering days per week) and the water timer was due to water the following day, then the next watering will occur on the following day and will continue to water according to the new setting of the dial.

If the water controller was due to water every 5 days and was due to

water in 4 days but you then set the dial to water every 2 days, the controller would decrease the interval to the new 2 day interval at the following sunrise. This means you will not need to wait for the previously set 5 day interval to fully lapse once the dial has been reset to a more frequent interval.

If you have turned the dial clockwise (decreasing the number of watering days per week) the controller will wait until the previously set watering day interval has lapsed before commencing to water at the new longer interval.


How do I water once a week on a specific day

For detailed instructions go to;
www.hozelock.com/sensorcontrollerplusinstructions

How to turn off the Sensor Controller Plus

If you do not want the controller to automatically come on turn the rotary dial to the “OFF” position. You can still use the  button to manually water your garden.

Initial synchronisation period

When you install new batteries there is a 6 hour lockout period to prevent the controller from watering while you are setting up your system. After a 24 hour cycle of Sunrise and Sunset the controller will be synchronised with the changing light levels. You can manually water your garden using the  button during the 6 hour lockout period.

Positioning your Sensor Controller Plus outdoors

It is important that your water controller is in an outdoor location. Do not point the control panel directly towards outdoor security

lights or other bright lights that come on during the night as these might interfere with the recorded light levels and cause the controller to come on at the wrong time.

Ideally, you should not set up your controller in a heavily shaded passageway or behind buildings where light levels remain low all day long. Do not position the controller inside buildings such as garages or sheds where it will not receive natural daylight to function correctly.

The controller is designed to be positioned directly underneath an outdoor tap. Do not position the controller on its side or lying on the ground whereby rainwater cannot flow away from the product.

1 hour delay (when using 2 Sensor Controllers together)





If you install two Sensor Controllers you might want to stagger the start times to prevent pressure loss when two appliances are used simultaneously – for example sprinklers.

Remove the delay plug from the storage location on the back of the control panel (Fig. 2) and fit the plug on the location below the batteries.

With the plug inserted the one hour delay affects all automatic watering. The delay period of one hour cannot be changed.

Manual operation (water now)

You can turn on the water controller at any time by pressing the Water Now  button.

Water now function	
Press  Once	10 minutes watering
Press  Twice	30 minutes watering
Press  Three times	60 minutes watering
Press  Four times	Cancels Water Now

The LED light will come on to indicate you have turned the controller on and will start to flash when the valve has opened. Depending on the mode selected the lights will count down as the time lapses; So if you press the button 3 times to water for 60 minutes, after the first 30 minutes the top light will stop flashing and the bottom two lights will continue to flash.

If you decide to stop manual watering at any time simply press on the Water Now button until all the green lights stop flashing. You will hear the motor operate the internal valve turning the water off.

Note: To protect battery life the water controller can only be turned on and off a maximum of 3 times in one minute.

How do I cancel an automatic watering operation

The  button can also be used as a manual override to cancel any current automatic watering operation that has started. The schedule will then resume.


Battery Level Check

(Press And Hold Down The Water Now  Button)

3x Green Lights	Battery level is Excellent
2x Green Lights	Battery level is Good
1x Green Light	Battery level is ok but consider replacing them soon
1x Red Light	Battery level is low - replace the batteries now

Failure prevention mode

A built in safety feature detects when the battery levels have dropped to a level that could fail whilst the valve is open and result in wasting water. The safety mode prevents the controller from turning on until the batteries have been replaced. The LED indicator light will flash red when the failure prevention mode has been activated. The Water Now function will also not operate until the batteries have been replaced.

 **This product is not designed to be used in sub-zero (frost) temperatures. During winter months drain any remaining water out of your timer and bring it indoors until the next watering season.**

Troubleshooting

Problem	Possible cause	Solution
Valve opens but no water comes out	Garden tap is off	Turn on tap
	Hose pipe twisted or blocked	Untwist/unblock hose hose
Button pressed but valve doesn't open	Wrong or flat batteries	Check battery type and/or replace with fresh batteries
Button pressed Light came on but valve did not open	1 minute lock out has operated	Wait three minutes and try again
Controller set up correctly but did not come on at sunset	Controller waiting to synchronise	Wait 24hrs and observe again
Controller activated when outside lights come on	Outside lights too bright	Move or rotate controller away from light sources

Technical Data

Operating Pressure	0.1 – 10 Bar
Operating Temperature	0 - 55°C
Max. Water Temperature	30°C


Technical Data	
Battery Type	2x 1.5V AA (LR6) Alkaline Batteries
Average Battery Life	8 months used twice a day
Watering Cycles	Max. 2x watering cycles per day
Watering Durations	2, 5, 10, 20, 30 or 60 minutes
Purpose of Control	Electrically operated water valve
Mounting Method	Surface mounting
Action Type	Type 1
Pollution Degree	4

Contact details

If you have any further problems with your water timer please contact Hozelock customer services.

Hozelock Limited
Midpoint Park, Birmingham. B76 1AB.
Tel: +44 (0)121 313 1122
Internet: www.hozelock.com
Email: consumer.service@hozelock.com

F

- A** Adaptateur G $\frac{1}{2}$ ($\frac{1}{2}$ "bsp) 21 mm
- B** Adaptateur G $\frac{3}{4}$ ($\frac{3}{4}$ "bsp) 26,5 mm
- C** Adaptateur G1 (1"bsp) 33,3 mm
- D** Molette de réglage de programme
- E** Molette de réglage de durée
- F** Témoins indicateurs LED
- G** Bouton Arroser maintenant  - Marche/Arrêt/Annulation
- H** Raccord de tuyau d'arrosage
- I** Capteur de lumière

Instructions de montage et d'utilisation



LISEZ ATTENTIVEMENT CES INSTRUCTIONS DE AVANT DE COMMENCER À UTILISER L'APPAREIL.

LE NON-RESPECT DES CONSIGNES CI-APRÈS PEUT ENTRAÎNER DES BLESSURES OU ENDOMMAGER LE PRODUIT

Informations générales

⚠ CES INSTRUCTIONS SONT ÉGALEMENT DISPONIBLES SUR LE SITE WEB D'HOZELOCK.

⚠ Ce produit répond aux exigences de IP44 et peut donc être utilisé dans des conditions climatiques extrêmes.

⚠ Ce produit n'est pas adapté pour l'alimentation en eau potable.

⚠ Il convient de serrer les raccords d'eau filetés uniquement

Технические данные	
Рабочее давление	0,1–10 бар
Рабочая температура	0 - 55°C
Макс. температура воды	30°C
Тип батарей	2 x 1,5 В AA (LR6) Щелочные батареи
Средний срок службы батарей	8 мес. при использовании дважды за сутки
Циклы полива	Макс. 2 цикла полива в сутки
Продолжительность полива:	2, 5, 10, 20, 30 или 60 минут.

КОНТАКТНАЯ ИНФОРМАЦИЯ

www.hozelock.com

HOZELOCK

Sensor Plus

IP44 2214 0000

max: 10 Bar Tmax: 55°C

3V d.c. (2 x LR6) 1W



www.hozelock.com

201014-a0001 40153-000

Declaration of Conformity to CE

Hozelock Ltd declare that the following Electrically Operated Water Valves:

- **Sensor Controller Plus (2214)**

Comply with:

- **the Essential Health and Safety Requirements of the Machinery Directive 2006/42/EC and its amending directives.**
- **EMC Directive – 2014/30/EU**
- **RoHS Directive 2011/65/EU**

and conforms to the following harmonised standards:

- **EN61000-6-1:2007**
- **EN61000-6-3:2011**

Date of Issue: 09/11/2015

Signed by:.....

Nick Iaciofano

Technical Director, Hozelock Ltd.

Midpoint Park, Sutton Coldfield, B76 1AB. England.